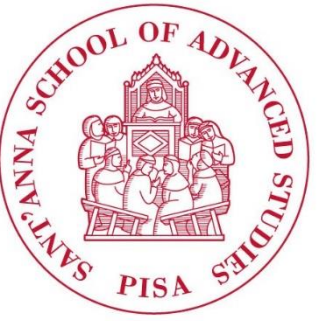


# Rotatably-actuated endourethral artificial sphincter

INAIL



**INVENTORS:** Tommaso Mazzocchi,  
Arianna Menciassi,  
Leonardo Ricotti

**CO-OWNERS:** INAIL

**Patent Status:** Granted

**Priority Number:** 102017000136730

**Publication:** 28/11/17

**Published as:** ITALIA/PCT

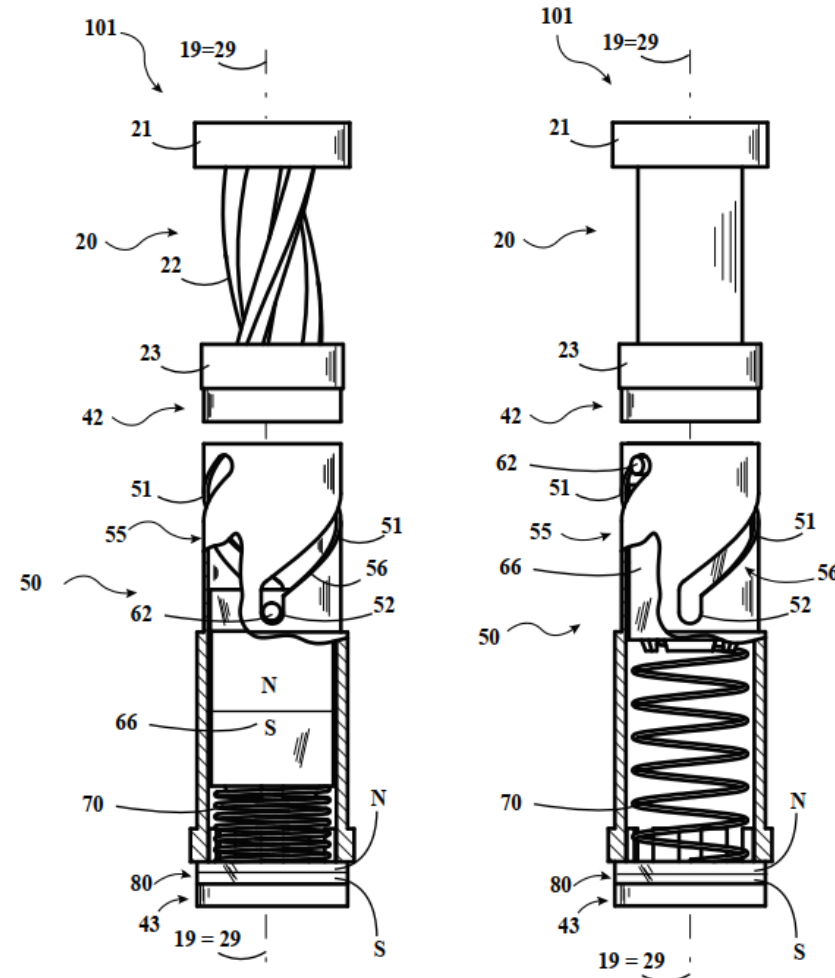
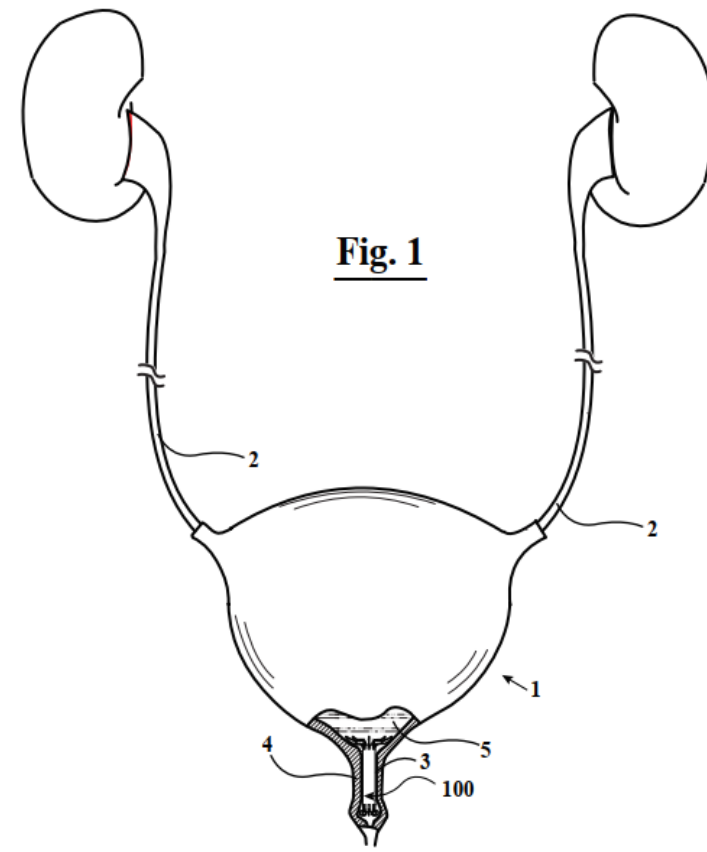
## Invention



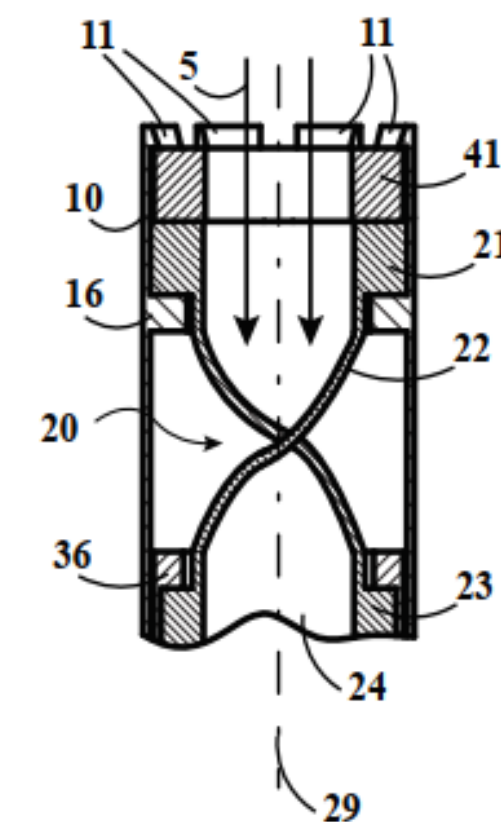
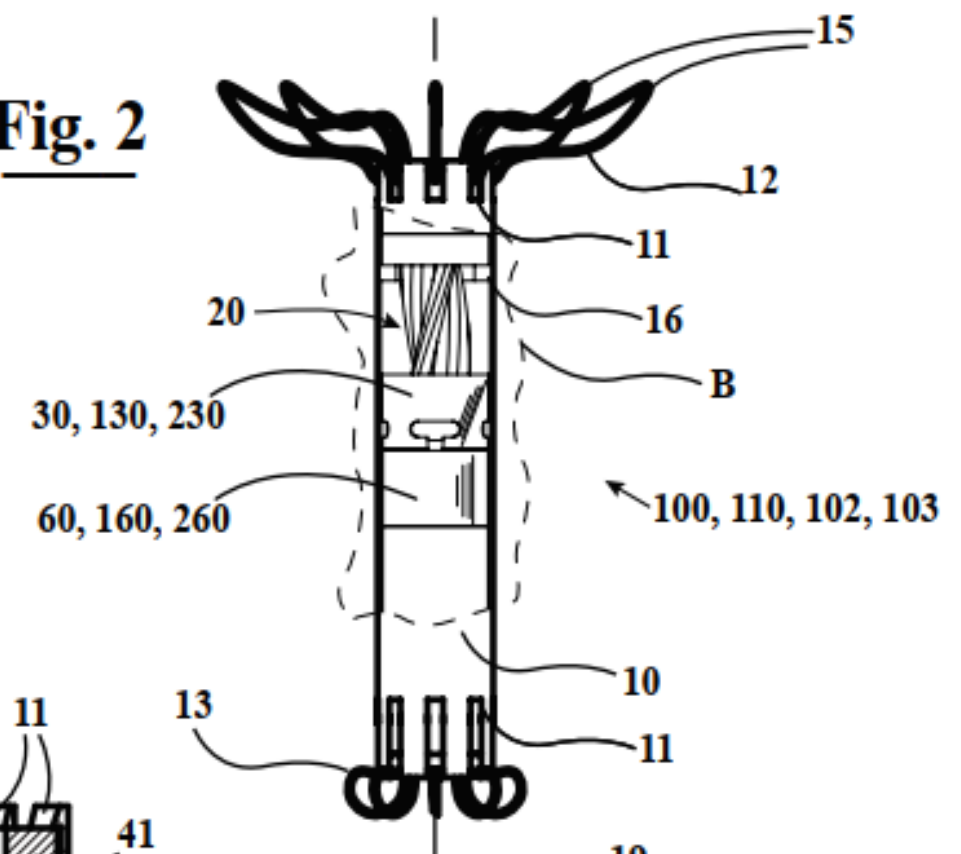
The present invention relates to an artificial sphincter for implantation in a urethral canal, in particular for treating patients suffering from urinary incontinence.

The invention in its simplicity, low cost and ease of coupling, can be activated from the outside by the user thanks to a magnet which, conveniently close to the device, mechanically activates the device following the pressure.

Drawings  
& pictures

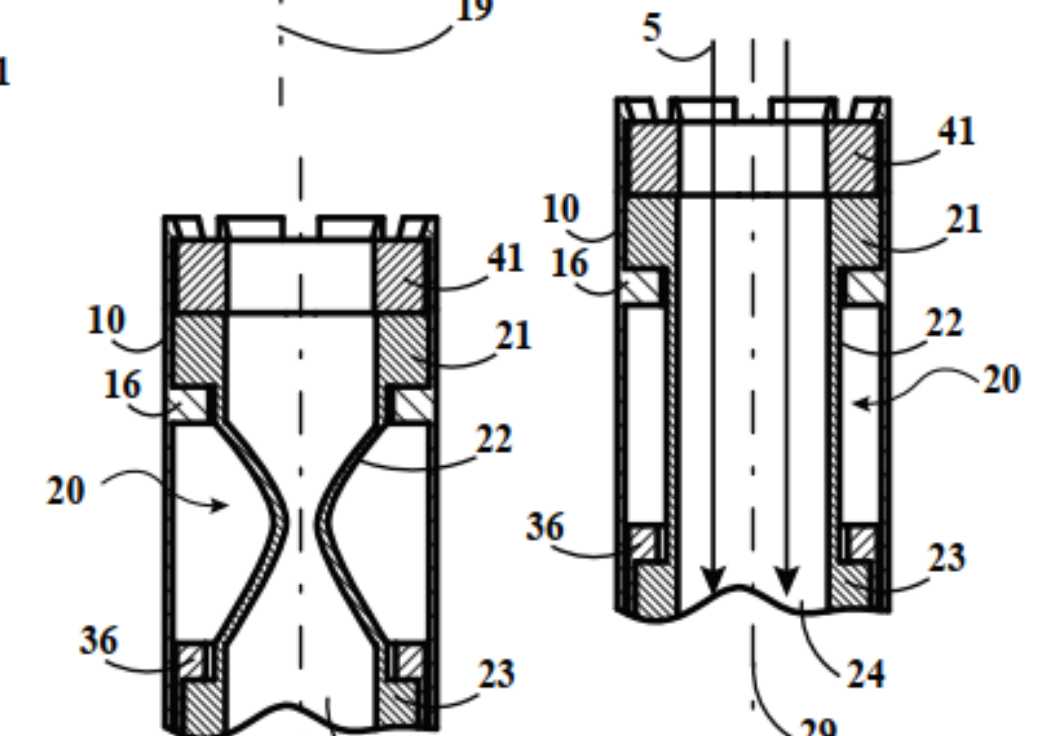


**Fig. 2**



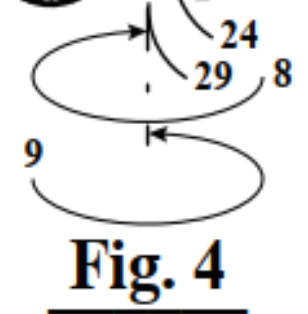
**Fig. 3**

B



**Fig. 5**

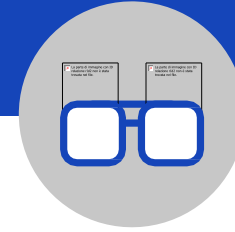
B



**Fig. 4**

B

# Industrial Applications



Create a new and innovative highly perforating biorobotic product capable of improving the health service and limiting the problem of urinary incontinence to the population

Possible  
developments



The research group is interested in industrial partners interested in licensing the technology covered by this patent.

For more information:



**Scuola Superiore Sant'Anna – Technology Transfer Office**

**Headquarters: Piazza Martiri della Libertà 33, 56127, Pisa**

**Web site: [www.santannapisa.it](http://www.santannapisa.it)**

**E-mail: [uvr@santannapisa.it](mailto:uvr@santannapisa.it)**

For more information:



**Ufficio Regionale di Trasferimento Tecnologico**

**Headquarters: Via Luigi Carlo Farini, 8 50121 Firenze (FI)**

**E-mail: [urtt@regione.toscana.it](mailto:urtt@regione.toscana.it)**



INAIL

